



ARROWHEAD FORENSICS

TracER

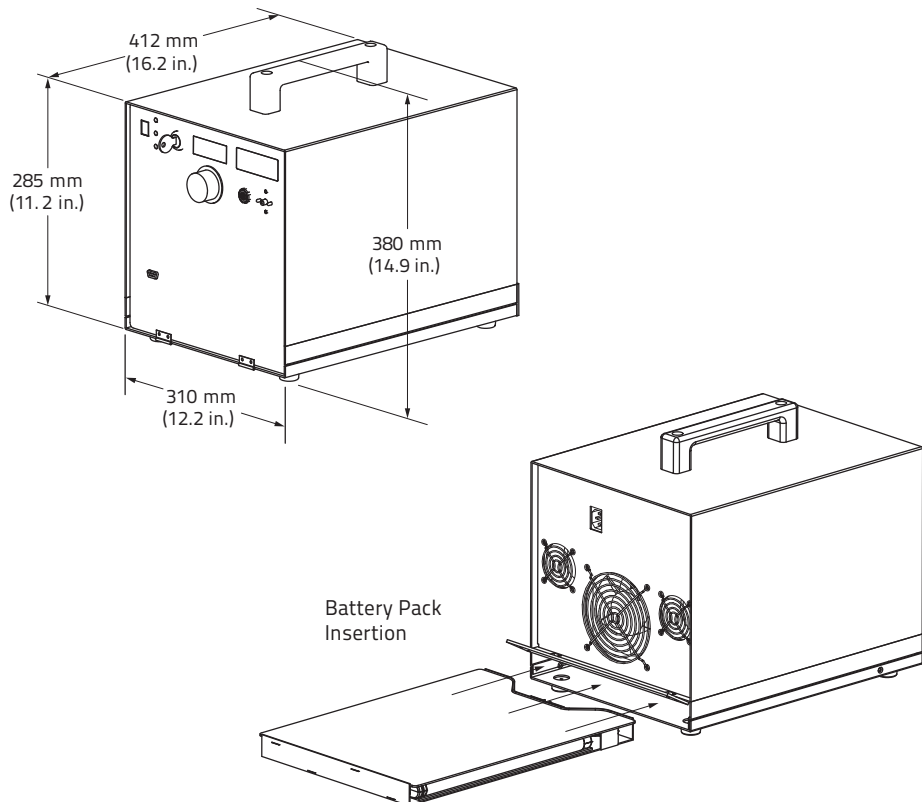
Reliable, Portable, Battery-Operated, Green Forensic Laser System



Features

- Hand-portable green laser system
- Long-life battery pack or 110/240V AC operation
- Cost-effective design architecture
- Reliable, rugged design incorporating patented optically pumped semiconductor (OPS) laser

Mechanical Specifications



Superior Reliability & Performance

TracER™

Reliable, Portable, Battery-Operated, Green Forensic Laser System

System Specifications

Laser Parameters

Power (W)	3,5	6,8	2
Wavelength (nm)	577	532	460
Typical Bandwidth (nm)		0.5	
Beam Diameter (cm) ¹	15 to 30 (continuously variable)		
Beam Quality	Uniform speckle-free illumination		
Start-Up Time	2 to 30 sec. (from warm/cold start)		

Handpiece

Weight	<1 kg (<2 lbs.)
Standard Fiber	Armoured 5m long (options available)

Battery Pack (optional)

Battery Operation Time	90 min.
------------------------	---------

General

Ambient Operating Temperature	10 to 35°C
Rel. Humidity (Non-Condensing)	5 to 95 %
Mains Operating Voltage	100 to 240 VAC 50/60 Hz
Power Consumption (W)	150 to 300
System Dimensions (L x W x H)	412 x 310 x 380 mm (16.2 x 12.2 x 14.9 in.)
System Weight	20 kg (45 lbs.)(with battery pack)

¹ Continuously variable. Measured at 60 cm from end of handpiece.

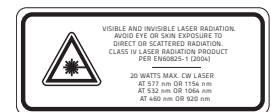
Coherent follows a policy of continuous product improvement. Specifications are subject to change without notice.

Coherent's scientific and industrial lasers are certified to comply with the Federal Regulations (21 CFR Subchapter J) as administered by the Center for Devices and Radiological Health on all systems ordered for shipment after August 2, 1976.

Coherent offers a limited warranty for all TracER lasers. For full details of this warranty coverage, please refer to the Service section at www.Coherent.com or contact your local Sales or Service Representative.



Arrowhead Forensics
 11030 Strang Line Road
 Lenexa, KS 66215
 phone (800) 953-3274
 (913) 894-8388
 fax (913) 894-8399
 e-mail info@arrowheadforensics.com



ISO 9001:2000 Registered